

L-PHP50A ABS MUSIC HORN

- Superb audio and music reproduction
- Excellent audio performance and music reproduction
- Divided frequency system
- Wide opening angle
- Simple power setting
- Water and dust protected to IP 65
- Delicate and stylish design
- Compact and high strength fire resistant ABS plastic
- CE and RoHS complied



BDA 6G5F 67E5D;BF;A@

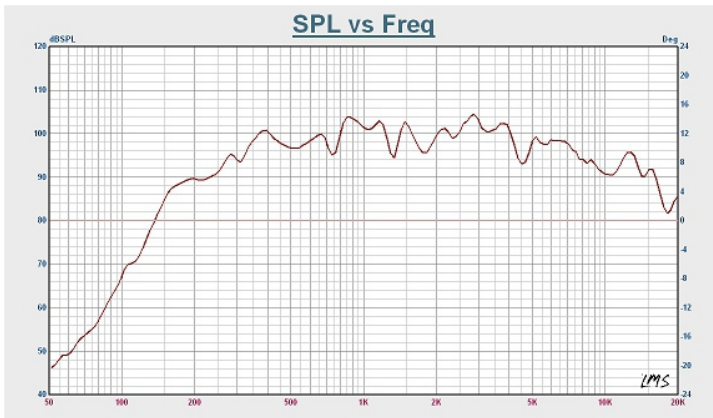
L-PHP50A is a 50W horn loudspeaker, which has a wider frequency response range and higher sensitivity so that it can deliver extraordinary audio performance and high quality music reproduction. The wide opening angle ensures that the sound can be delivered evenly. The horn loudspeaker can be applied to humid or moisture locations like swimming pools, sports fields, parks, passenger liners, schools and railway stations, etc. The strong water proof ABS enclosure protects the unit from harsh weather conditions and external damages.

The rectangle loudspeaker consists of a cavity horn and two transducers(one for low frequency and another for high frequency). Nominal full-power, half-power or quarter-power radiation (in 3 dB steps) can easily be selected by connecting the amplifier output to the appropriate tap. It is also suitable for general indoor use. The strong and adjustable mounting brackets provided help to accurately direct the sound beam. The loudspeaker is CE and RoHS complied

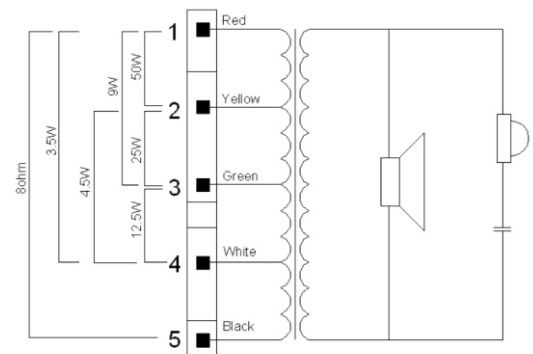
Technical Specification

| | |
|------------------------------------|---|
| Max power | 75 W |
| Rated power | 50 W |
| Power taps | 50 W / 25 W / 12.5 W / 9 W / 4.5 W / 2.6 W / 8Ω |
| SPL at 50 W / 1 W(200Hz-15kHz, 1m) | 111 dB / 96 dB |
| Frequency response (-10 dB) | 150 Hz - 17 KHz |
| Dispersion angle(1KHz / -6 dB) | 70° |
| Rated input voltage | 100 V / 70V |
| Rated impedance | 200 Ω |
| Connector | Plastic terminal blocks |
| Dimensions(W × H × D) | 252 × 362 × 310 mm |
| Weight | 4 Kg |
| Color | Light grey (RAL7035) |
| Material | ABS |

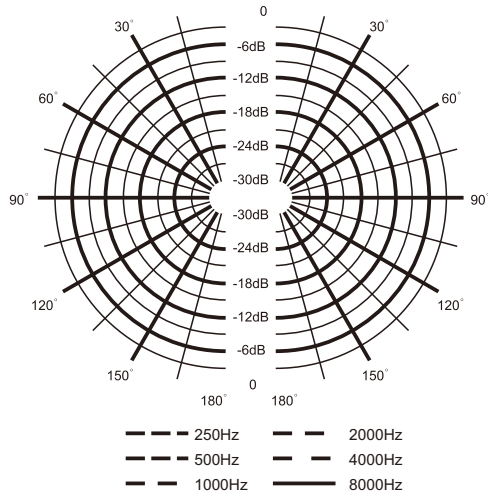
Frequency Response



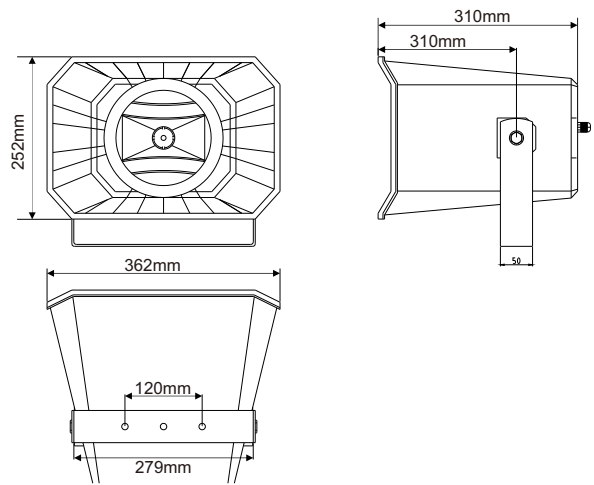
Circuit Diagram



Polar Diagram



Three-View Diagram



For more information,
<https://honeywellbuildings.in>
 Call: 1-800-103-0339
 Email: HBT-Indiabuildings@honeywell.com

Honeywell HBT India Buildings
 Unitech Trade Center, 5th Floor, Sector-43,
 Block C, Sushant Lok Phase - I,
 Gurgaon - 122 002

www.honeywell.com

© 2020 Honeywell International Inc.

L-PHP50A
ABS MUSIC
HORN

Honeywell