

L-PPP20A ABS PENDANT LOUDSPEAKER

- Suitable for speech and music reproduction
- Simple power setting
- Easy installation
- Robust fire resistant ABS enclosure
- Supplied with a 2m long fire resistant cable
- International safety laws complied



PRODUCT DESCRIPTION

L-PPP20A is a 20W modern style pendant loudspeaker. Its low-profile, white color design blends easily with most interiors in locations such as warehouses, supermarkets, concourses, factories etc. This modern styled spherical loudspeaker is a true omni-directional loudspeaker, providing coverage angles of 360 degrees horizontal and 140~160 degrees vertical, even giving an dispersion over the audio spectrum.

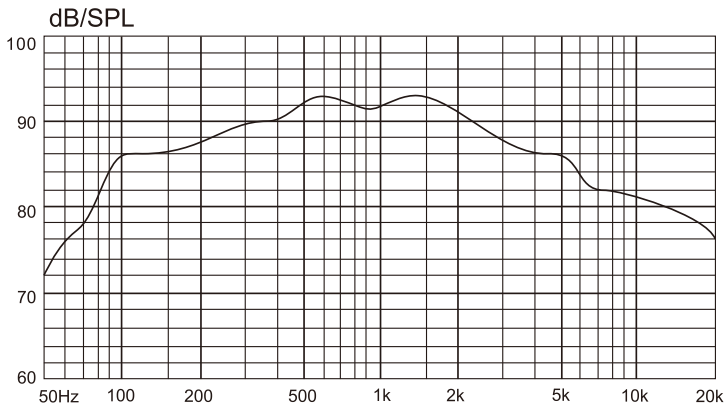
Wide dispersion together with smooth frequency response and carefully controlled performance enable this speaker to offer solutions to many problems that arise in difficult acoustic applications. The pendant loudspeaker is supplied with 2-meter-long fire resistant cables with a metal rope for suspended ceiling installation. It complies with BS5839 part 8.

Technical Specification

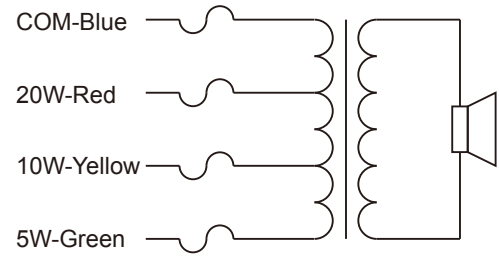
Max power	30 W
Rated power	20 W
Power taps @ 100V	20 W / 10 W / 5 W
SPL at 20W / 1W (100Hz-6kHz,1m)	103 dB / 90 dB
Frequency response (-10dB)	80 Hz - 12 KHz
Dispersion angle (1KHz / -6dB)	Horizontal 360°, Vertical 140°-160°
Rated input voltage	100 V / 70 V
Rated impedance	500 Ω / 1 KΩ / 2 KΩ
Connector	wire cable

Rated input voltage	500 Ω / 1 KΩ / 2 KΩ
Dimensions	Φ 2 54 mm
Weight	2.2 Kg
Color	White
Speaker size	8"
Operating temperature	-25 °C to + 55 °C
Storage temperature	-40 °C to + 70 °C
Relative humidity	< 95 %

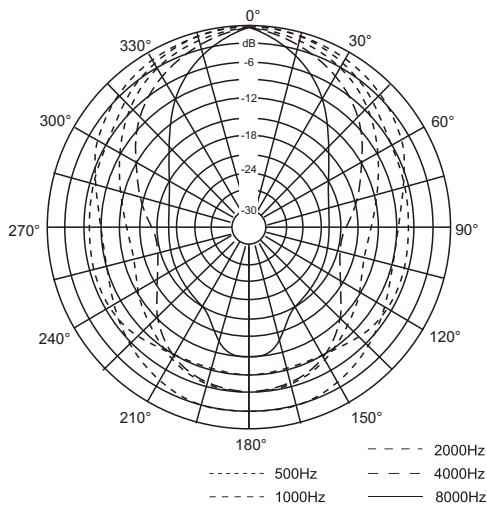
Frequency Response



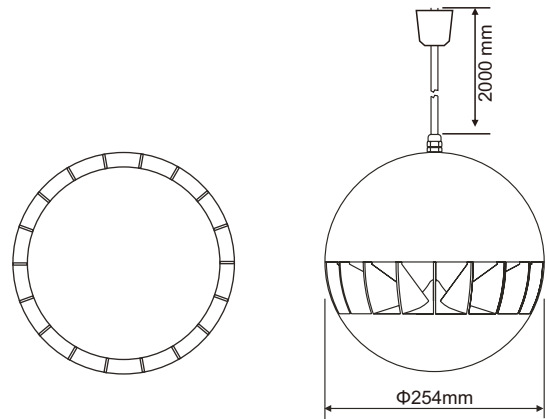
Circuit Diagram



Polar Diagram



Three-View Diagram



For more information,

<https://honeywellbuildings.in>

Call: 1-800-103-0339

Email: HBT-Indiabuildings@honeywell.com

Honeywell HBT India Buildings

Unitech Trade Center, 5th Floor, Sector-43,

Block C, Sushant Lok Phase - I,

Gurgaon - 122002