

JT-MCR30-ID/ 45-ID/55-ID EM CARD READER

JT-MCR30-ID, 45-ID, 55-ID are our 125KHz EM Card Readers that provide a solution for security managers, dealers and integrators. JT-MCR30-ID, 45-ID, 55-ID are robust, affordable and seamlessly integrated with access control systems that enforce a higher level of security with stability and reliability.

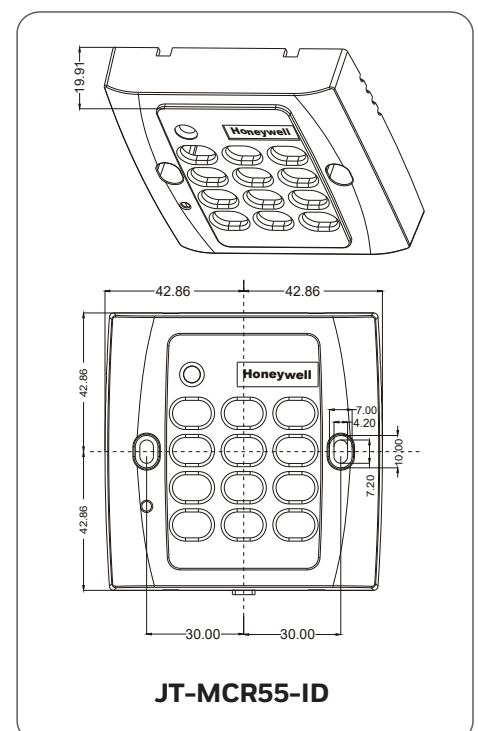
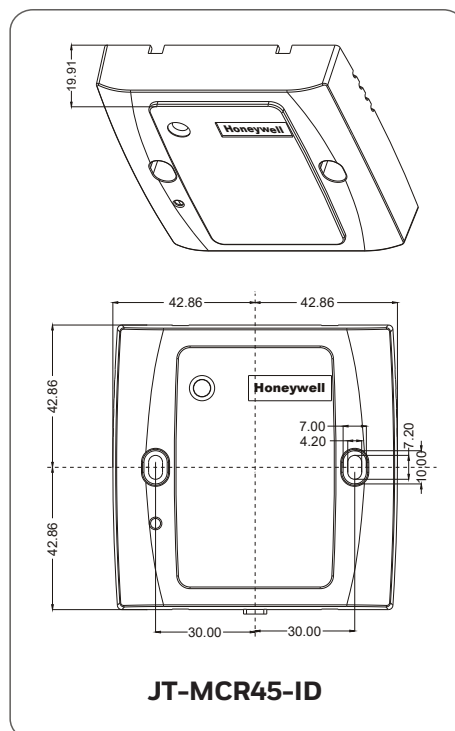
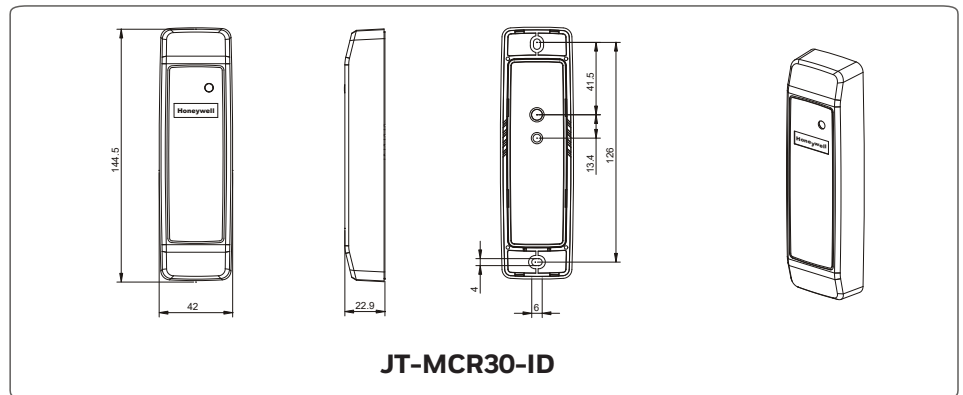


JT-MCR55-ID scans the keypad entries and then transmits the data to the host system via the Wiegand data lines. The reader outputs each key as a 4-bit Wiegand output in standard.

The reader offer consistent read range in an easy to install package.

KEY FEATURES

- 125KHz, Contactless EM Card Reader
- Read range: up to 2.4 in.(6cm)
- Built-in audible buzzer
- Host LED control
- Hidden mounting screws deter vandalism
- Wiegand Output Interface
- Keypad with backlight (JR-MCR55-ID)



SPECIFICATIONS

Dimension	JT-MCR30-ID 5.71 x 1.69 x 0.91in.(145 x 43 x 23mm)	JT-MCR45-ID 3.5 x 3.5 x 0.8in.(89 x 89 x 20mm)	JT-MCR55-ID 3.5 x 3.5 x 0.8in.(89 x 89 x 20mm)
Max. Read Range ¹	2.0~2.4in.(5~6cm)		
Frequency	125KHz		
Regulatory Approvals USA	FCC part 15B, Europe: CE (UL294 applied for)		
Read	Card ID Only : EM RF ID		
Operating Temperature	-31 to 60		
Operating Humidity	0 to 95%		
Power Supply Type	Linear or Switching (Ripple < 30 MHz, Max 50 mVss)		
Operating Voltage Range	8 ~16 VDC		
Current	120 mA Max.		
Output Interface	Wiegand		
Warranty	Limited lifetime warranty		

Note: 1 Actual operating distance will vary depending on installation environment and proximity to metal.

ORDERING

Part #	JT-MCR30-ID	JT-MCR45-ID	JT-MCR55-ID
Style	Mullion	Gang(UK)	Gang (UK) with Keypad
Read Range	Up to 2.4"(6cm)	Up to 2.4"(6cm)	Up to 2.4"(6cm)
Interface	Wiegand	Wiegand	Wiegand
Case Color	Black	Black	Black

For more information,

www.honeywellbuildings.in
 Call: 1-800-103-0339
 Email: HBT-Indiabuildings@honeywell.com

Honeywell HBT India Buildings

Unitech Trade Center, 5th Floor,
 Sector-43, Block C, Sushant Lok
 Phase - I, Gurgaon - 122 002.

JT-MCR30-ID/45-ID/55-ID
EM Card Reader

Honeywell